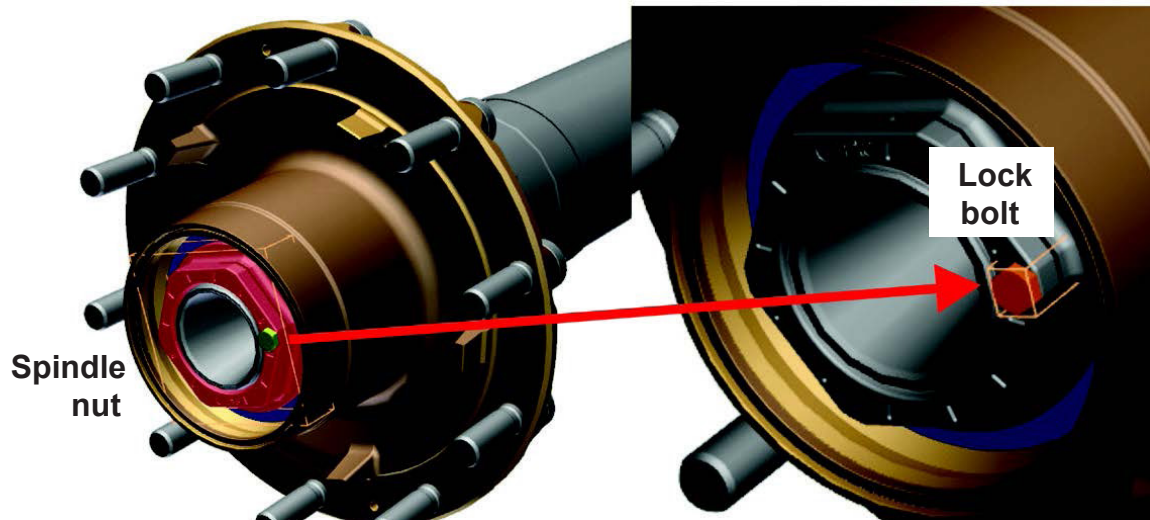


SAF-HOLLAND Axle Spindle Nut – new version with incorporated lock bolt

As part of SAF-HOLLAND's continuous improvement program, SAF-HOLLAND is introducing a new version of the axle spindle nut with an incorporated lock bolt, as shown below.

This service bulletin explains the features of the new spindle nut, provides the part numbers and service tool part numbers, and outlines a service and maintenance procedure.



The new spindle nut performs the same base function as the previous spindle nut, but adds the functionality of an incorporated locking bolt.

Accordingly, it is a new part number for left and right hand versions and the lock bolt is a separate part that also has a new part number.

The new spindle nut requires a larger hexagon socket for removal than the previous spindle nut. All part numbers are show below.

A procedure for service and maintenance is shown on the following page.

Axle nut

Left part number: 1 011 0113 00

Right part number: 1 011 0114 00

Lock bolt

Part number: 4 343 1015 88

Hexagon socket

Part number: 4 434 3891 00

All parts are available for order from Transpecs customer service.

Please contact tslcs@simedarby.co.nz for further information.

The following steps outline the procedure for the identification and service of the new version of the axle spindle nut.

Please note the following important points:

- The lock bolt must be loosened before removing the spindle nut
- All used lock bolts must be replaced with new bolts, never reuse old lock bolts.
- Thread direction is dependant on vehicle side (left-hand thread on left vehicle side and visa versa)

Step	Description
1	Lock bolt (M8x20) / tightening torque: 30 Nm Wrench size: 13 mm
2	Groove marks axle nut with left-hand thread on the left vehicle side.
3	Axle nut with right-hand thread on the right vehicle side. Open by left-turn. Wrench size: 95 mm Tightening torque: 900 Nm
4	Axle nut with left-hand thread on the left vehicle side. Open by right-turn. Wrench size: 95 mm Tightening torque: 900 Nm
5	Hexagon socket / wrench size: 95 mm

! ATTENTION !

First loosen lock bolt

! DANGER!

Replace used lock bolt

