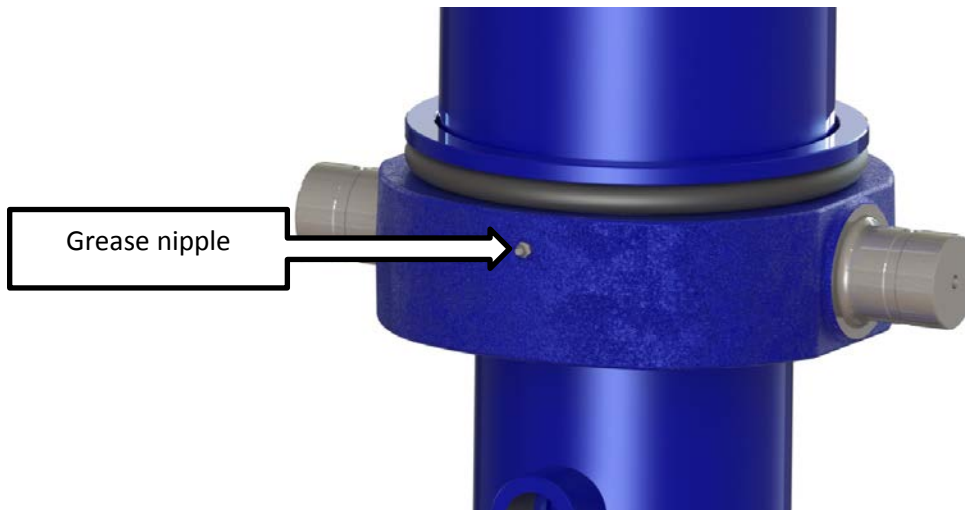


INFORMATION BULLETIN

Product Improvement – Outer Cover Cylinders - Trunnion Greasing

Once our current stock runs out all supplied outer cover cylinders will include a greasing point on the front face of the lifting trunnion.



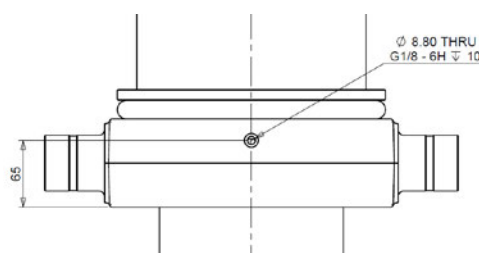
This will allow customers to fit a grease nipple and grease the trunnion annually as part of a maintenance schedule. All handbooks will be updated to include this additional maintenance point.

This area will only be lightly greased in the factory to ensure that paint contamination is avoided. Bodybuilders are recommended to top-up after final fitting and painting.

This product improvement will facilitate greasing of the cavity between the outer cover tube and trunnion which will help to prevent corrosion developing on the tube surface which could lead to a service problem for older cylinders.

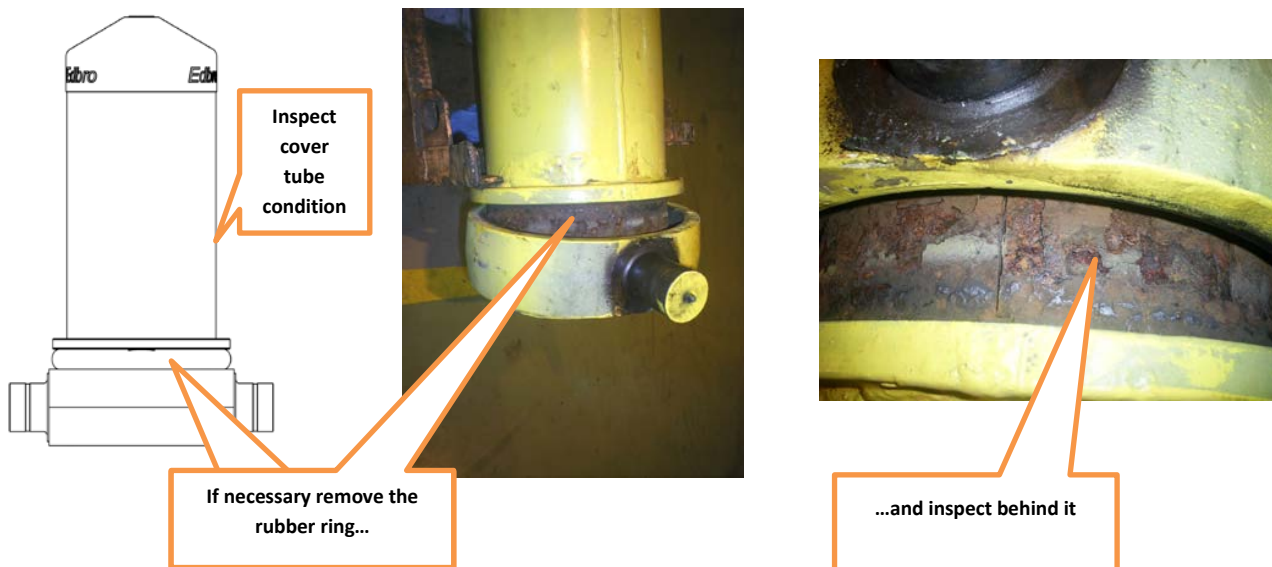
Service upgrade and inspection

If customers wish to upgrade existing product, they can drill and tap a suitable hole as shown in the sketch below and follow the same maintenance routine. This will help to extend the life of the product especially in coastal applications or where frequent pressure washing is normal.



INFORMATION BULLETIN

Customers are reminded that all cylinders, but especially older cylinders, should be inspected regularly for significant corrosion of the outer cover. If necessary, the rubber anti rattle ring must be levered out to inspect behind it. Any sign of perforation (or significant flaking rust) is a reason to replace the cover assembly because the load capacity may be affected. If the assembly is to continue in use, the above greasing procedure should also be followed.

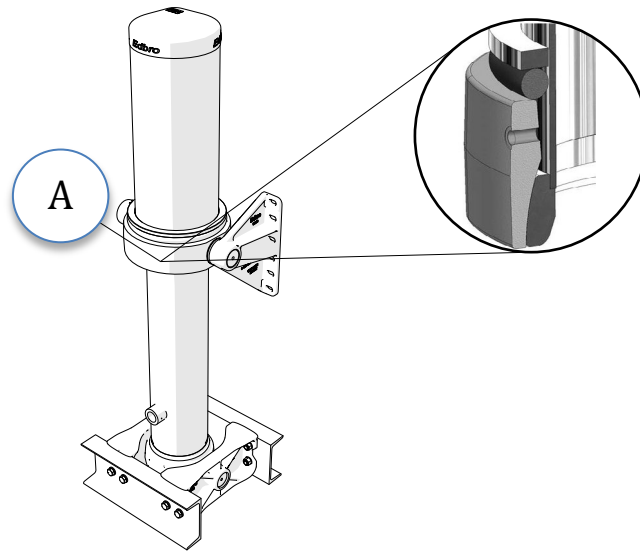


If the rubber anti rattle ring is perished or damaged, it should be replaced to ensure the best possible seal against water ingress.

INFORMATION BULLETIN

On first fitment of Cover model cylinders and only after finish painting please be sure to fit grease nipple (NG5 / NG6) *supplied seperately*, then grease lubrication point A in additon to normal first greasing as outlined in the Installation guide. Be sure not to exceed the volumes of grease as per the table below.

A grease of ISO grade 220 which is 220cST at 40degC or an even higher viscosity should be

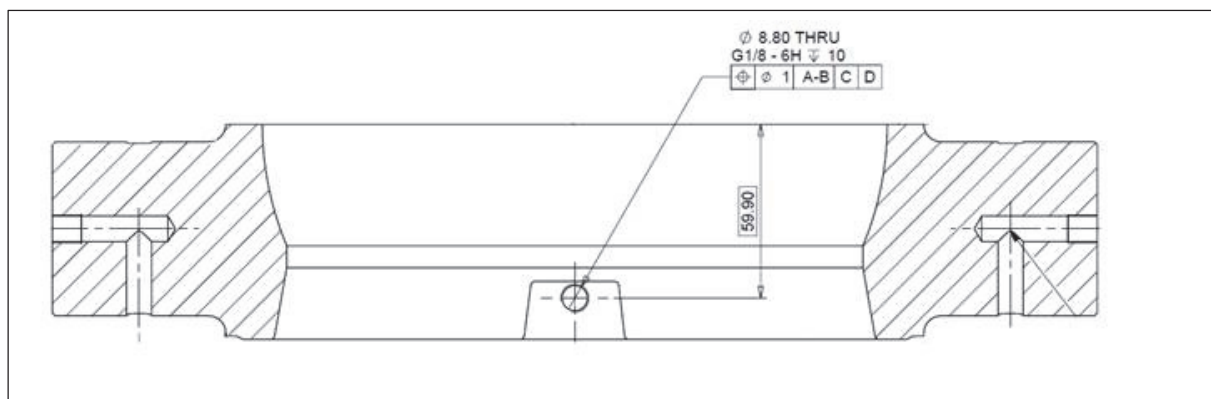


The trunnion greasing point A does not require regular greasing and should only be greased if you notice that grease has been lost from the trunnion assembly during cleaning.

Cylinder Model	Volume of Grease (cm3)
CS / CX 11	160
CS / CX 13	215
CS / CX 15	430
CS17 / 18 / 18 ultra	430
CS17 Ultra	290
CS19	500

INFORMATION BULLETIN

Grease Quality



Vertex Multi Tack EP2 or viscosity of ~220cST (ISO220 grease) is recommended. This is quite viscous and will stay in the cavity for a while. Do not over grease because the rubber ring may start extruding out of the housing. The amount of grease required for each cylinder type is below. This is to fill the whole cavity.

Cover	Volume of grease required (cm ³)
11	185
13	237.5
15	483
17/18	488
17U	324
19	560



Technical data on Vertex Multi Tack EP2 follows ...

Technical Data



MULTITACK EP2

PRODUCT DESCRIPTION

Vertex Multi Tack EP2 is a semi synthetic, multi-functional grease manufactured from lithium complex base soap, specially refined base oil and lead-free extreme pressure additives.

Vertex Multi Tack EP2 is designed for the lubrication of various applications in all types of operating conditions.

APPLICATIONS

I Vertex Multitack EP2 is a true multi purpose grease, formulated for lubrication of loaded slide-,ball-, and roller-bearings, wheel bearings, universal joints, chassis, and various shock loaded or vibrating applications in transport, agriculture and off road vehicles.

I Vertex Multitack EP2 is suitable as general purpose grease for industrial applications requiring a NLGI 2 grade Extreme Pressure grease, resistant to elevated temperatures.

BENEFITS

I Thanks to its sophisticated formulation **Vertex Multitack EP2** meets a wide variety of requirements. Its range of applications is extensive, allowing stock rationalization and simplification of maintenance.

I Vertex Multitack EP2 Fulfills the requirements of most automotive Original Equipment Manufacturers.

I Vertex Multitack EP2 Forms a lubricating film which is durable, and resistant to humidity, temperature variations and pollution, and hence reduces maintenance and costs.

I Vertex Multitack EP2 does not contain lead, or other heavy metals considered harmful to human health and the environment.

I Very good resistance to oxidation.

DISPENSING INFORMATION

Always avoid contamination of the grease by dust and/or dirt when applying.
Preferably use a pneumatic pump system or cartridges

Technical Data



MULTI TACK EP2

TYPICAL CHARACTERISTICS

MULTI TACK EP2	Units	Values
NLGI		2
SOAP TYPE		Lithium Complex
APPEARANCE	Visual	Green
PENETRATION, WORKED	At 25°C	285
DROPPING POINT	°C	250 min
WATER WASHOUT AT 80°C	% Loss	<4.0
TIMKEN, OK LOAD	Kg	26
4-BALL WELD	Kg/f	<4.0
4-BALL WEAR SCAR	mm	26
BASE OIL VISCOSITY	cSt at 40°C	220

PACK SIZES AVAILABLE

450G - 500G - 2.5 KG - 20 KG - 55 KG - 180 KG

COMPATIBILITY WITH OTHER GREASES

Vertex Multi Tack EP2 is a Lithium Complex grease. To obtain the full benefits of this product do not mix it with other soap base greases.

Always check grease compatibility before using.

Housings or grease ways should be either cleaned or flushed to remove old lubricant

For more technical information please contact Lubricants NZ Technical Dept. +64 9 640 0004

Sheet updated 29 May 2014

The information contained in this Product Data Sheet is accurate at the time of printing and is subject to change without prior notice.

® Vertex is a registered trademark of Lubricants NZ Ltd



LUBRICANTS NZ LTD
Tel. 0800 353 645
Email: info@lubenz.co.nz
www.lubenz.co.nz