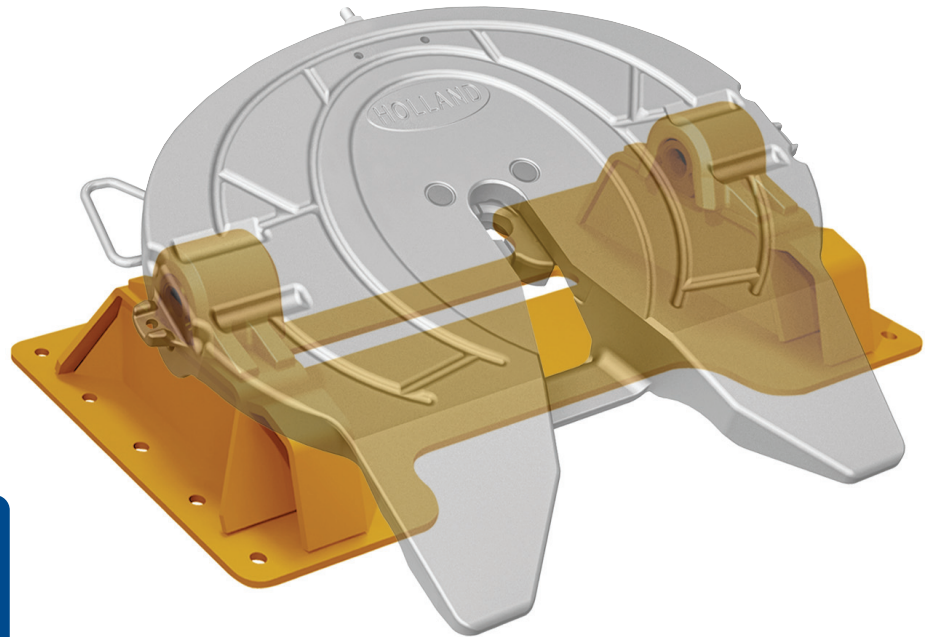




NEW INTEGRATED FIFTH WHEELS

Time-saving through direct mounting onto the chassis.



Advantages

- Quick and simple bolt on installation
- Weight saving
- Available with a range of height options
- Suitable with Holland lube and no lube top plates

Holland INTEGRATED Fifth Wheel Range

Assembly:	Part No:	Description:	Total Height (mm)	Weight (kgs):
NO-lube	FW31/145IF	5th Wheel 2.0" 145mm Integrated Foot	145	153
	FW31/170IF	5th Wheel 2.0" 170mm Integrated Foot	170	156
	FW31/195IF	5th Wheel 2.0" 195mm Integrated Foot	195	159
	FW31/220IF	5th Wheel 2.0" 220mm Integrated Foot	220	159
	Lube	FW351/135IF	5th Wheel 2.0" 135mm Integrated Foot	135
FW351/160IF		5th Wheel 2.0" 160mm Integrated Foot	160	147
FW351/185IF		5th Wheel 2.0" 185mm Integrated Foot	185	150
FW351/210IF		5th Wheel 2.0" 210mm Integrated Foot	210	150
Integrated foot		RK-Z600	Integrated Plate Mount 135mm	
	RK-Z700	Integrated Plate Mount 160mm		
	RK-Z800	Integrated Plate Mount 185mm		
	RK-Z900	Integrated Plate Mount 210mm		

Available Now

TOLLFREE: 0800 875 669 | TRANSPECS.CO.NZ

