

INSTALLATION OF DRAWBAR PINS WT1202D-69315 UPDATE

6 March 2017

Introduction:

We recently came across an incident involving a drawbar pin similar in design to but not the WT1202D-69315, in which the washer had been worn off. When looking at the pictures from this incident, it was apparent that the nut had been tightened as wear appeared without recourse to finding out where that wear had taken place.

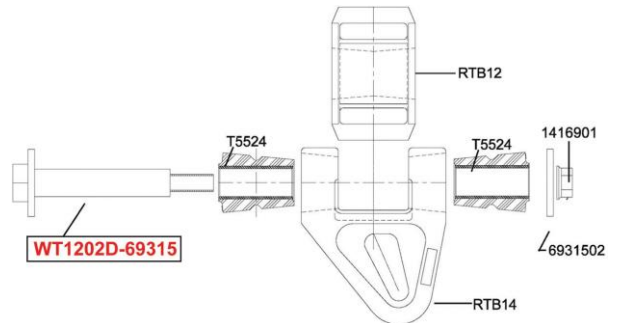
When asking general questions around this incident it became clear that there are a number of different ways people install these pins. Due to this, we have decided to refresh our Installation and Maintenance procedures.

Scope of this Bulletin:

Since 2011 pins sourced from Transpecs and TWL have carried a joint part number of WT1202D - 69315 and this bulletin refers only to this pin in relation to the Transpecs universal drawbar hinge kit - UTBK. Other suppliers may have similar products that interchange but that supplier will need to provide any information in relation to their products.

Certification:

The UTBK Hinge Kit supplied by Transpecs carries a certification. This certification provides for a maximum service wear limit of 5% of the original dimensions and profiles, after this the components must be replaced. This certification is also void if the installation instructions have not been followed or parts other than the original equipment items stated on the certificate are used.



UTBK PIN & BUSH INSTALLATION

Installation of Pin & Bushes:

Ensure the bush matting surfaces on the Rtb12 and 14 are free from any oil or other contamination. Install the rubber bushings "T5524" through the outer RTB14 bracket to the inner RTB12. Lubricants are not recommended. A proprietary temporary rubber assembly lubricant such as International Products "P80 Grip It" can be used. If absolutely necessary just plain water or lightly soapy water can be used. DO NOT USE ANY PETROLEUM BASED LUBRICANTS

Ensure the gaps between the RTB14 and the RTB 12 are kept equal throughout the procedure as illustrated in **Image A**. This is essential for correct installation.

Fit the WT1202D-69315 pin, nut and washer. The shank of the pin can be coated in an anti-seize product. Ensure no lubricant is present on the threads or the washer.

Slowly bring the torque up to 350lbs/ft (475NM), whilst ensuring the RTB 12 and 14 are kept an equal distance apart. This securing of this connection should also be done at the natural operating height of the drawbar when it is in service.

Care should be taken when torquing up the pin and bolt to ensure the rubber beads up in the space between the inner and outer bracket as shown in **Image B and C**.

There must always be rubber visible between the washers and the brackets as shown in **Images B, D and E**.

Maintenance:

Daily - A visual Inspection of the hinge components should be carried out on the driver's walk-around check to identify any loose components and any worn items (e.g. washer touching hinge bracket, loose washer etc).

Vehicle Service Inspection - As well a visual inspection, the connection should be checked for wear and security on every vehicle service. If any non-elastic movement is found, all components should be inspected for wear. Do not just tighten the nut.

The inspection frequency should be determined by the operator in line with the conditions they operate in, but the UTBK hinge should be inspected a least every 30,000kms or 3 months.

This certification provides for a maximum service wear limit of 5% of the original dimensions and profiles, after this the components must be replaced.

